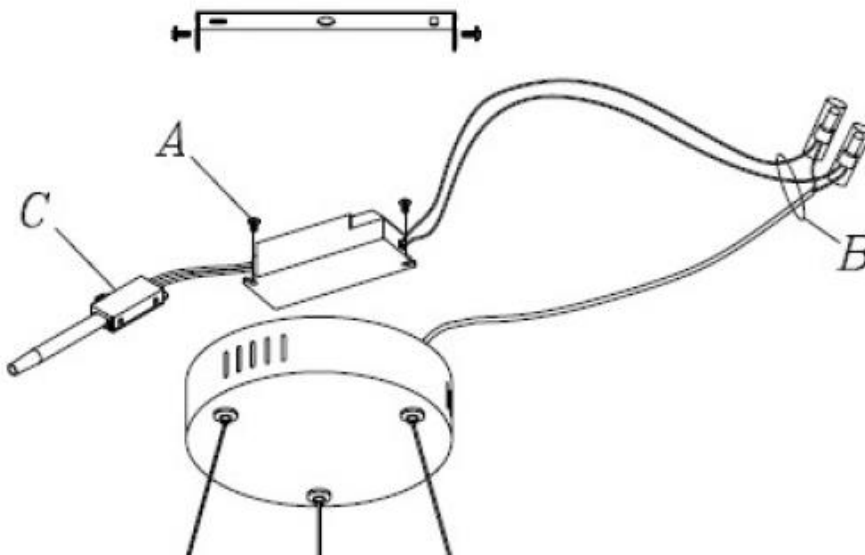


Disposal & Dismantling

Article number: 4306125
Light source: LT2373_module

Dismantling of LED driver for disposal purposes

Firstly, disconnect the product from any power supply. Make sure that the mains power line is voltage-free – turn off safety cut-out or unscrew the protection fuse. The switch must be in “OFF” position. Secure it against unauthorized switching on.



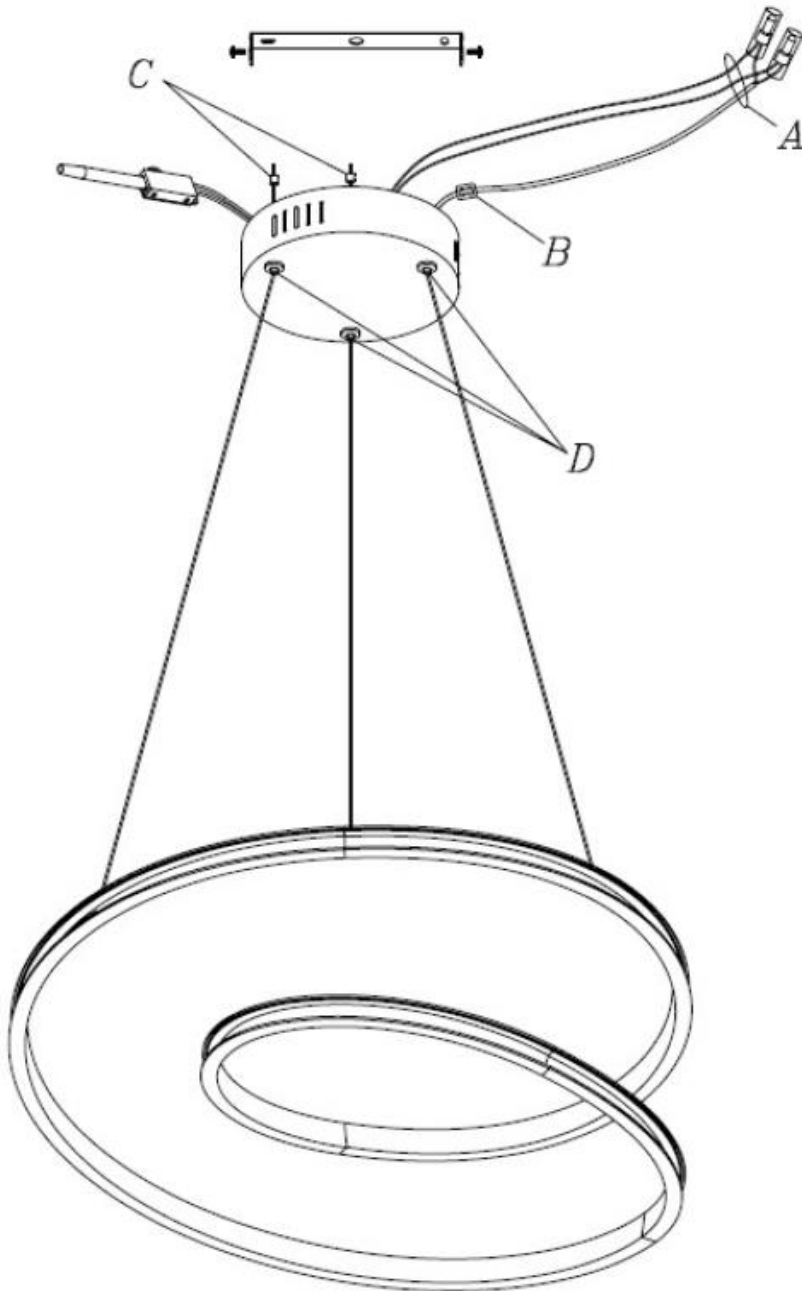
1. Remove the screws from the lamp base to take the lamp from the mounting bracket.
2. Remove the screws (A) from the LED driver.
3. Cut the wires (B) of the LED driver.
4. Remove the mains cables from the terminal block (C). Cut the wire between terminal block (C) and LED driver.
5. The LED driver is now dismantled and can be disposed of according to the relevant legal regulations.

Dismantling of light source for disposal purposes

Firstly, disconnect the product from any power supply. Make sure that the mains power line is voltage-free – turn off safety cut-out or unscrew the protection fuse. The switch must be in “OFF” position. Secure it against unauthorized switching on.

1. Remove the screws from the lamp base to take the lamp from the mounting bracket.
2. Cut the wires (A) of the LED driver.
3. Remove the “8”-shaped lock (B).
4. Remove the screws (C).
5. Press the cable adjustment locks (D) and pull the cables to remove the light source.

6. Remove the diffusor from the light source.
7. The light source of the reading lamp is now dismantled and can be disposed of according to the relevant legal regulations.



Manufacturer

DI-KA Vertriebsgesellschaft mbH & Co. KG
Oberstrasse 4
59755 Arnsberg
Germany
Tel: +49 2932 9022580
<http://www.di-ka.net/>